

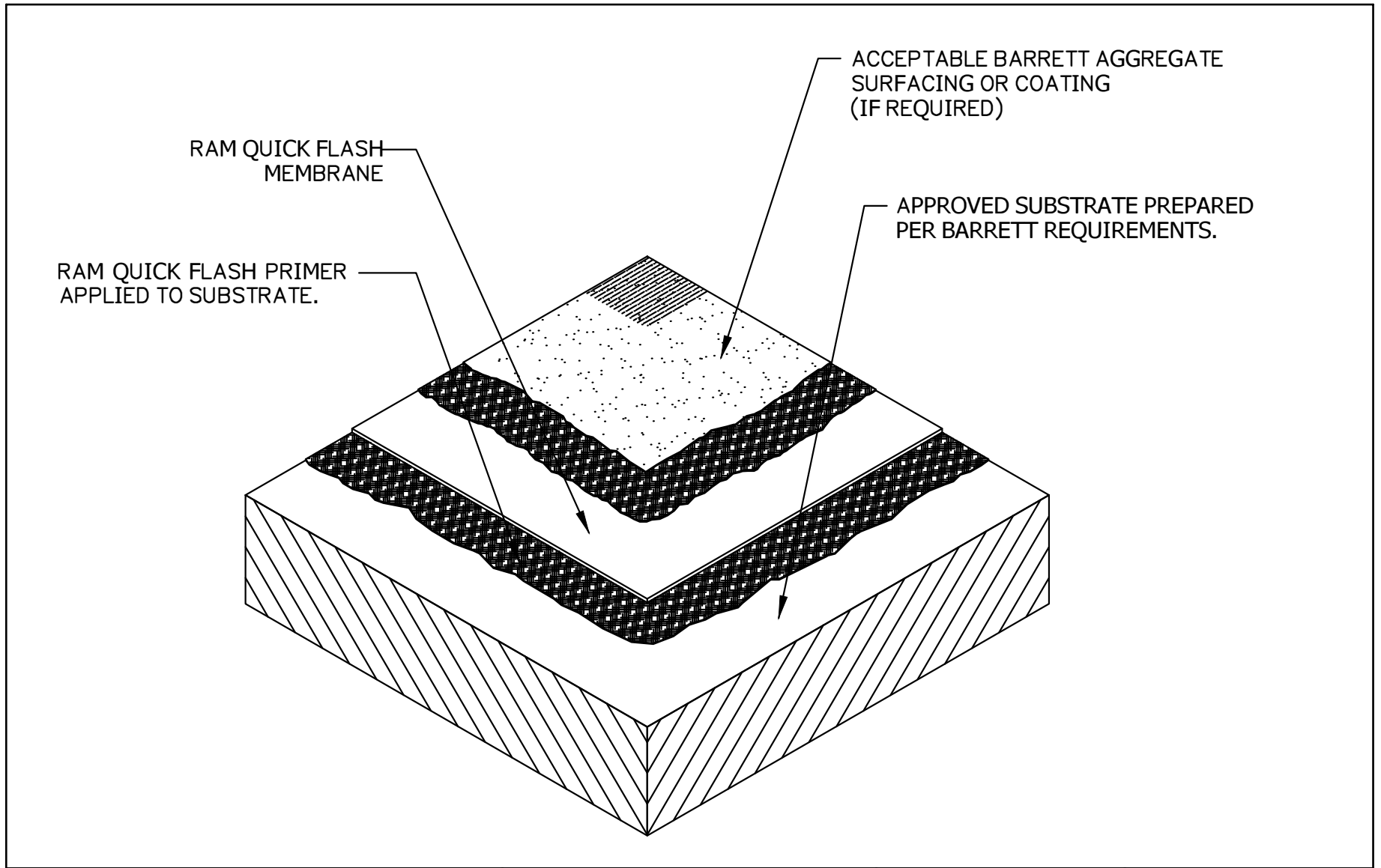
Contact info:
www.barrettroofs.com
 P: 1-800-647-0100



Drawing Detail:
 -- BALCONY WATERPROOFING ASSEMBLY W/OVERBURDEN

File Name:
 --

Date:
 -- 03-08-2024



Contact info:

www.barrettroofs.com
P: 1-800-647-0100



Drawing Detail:

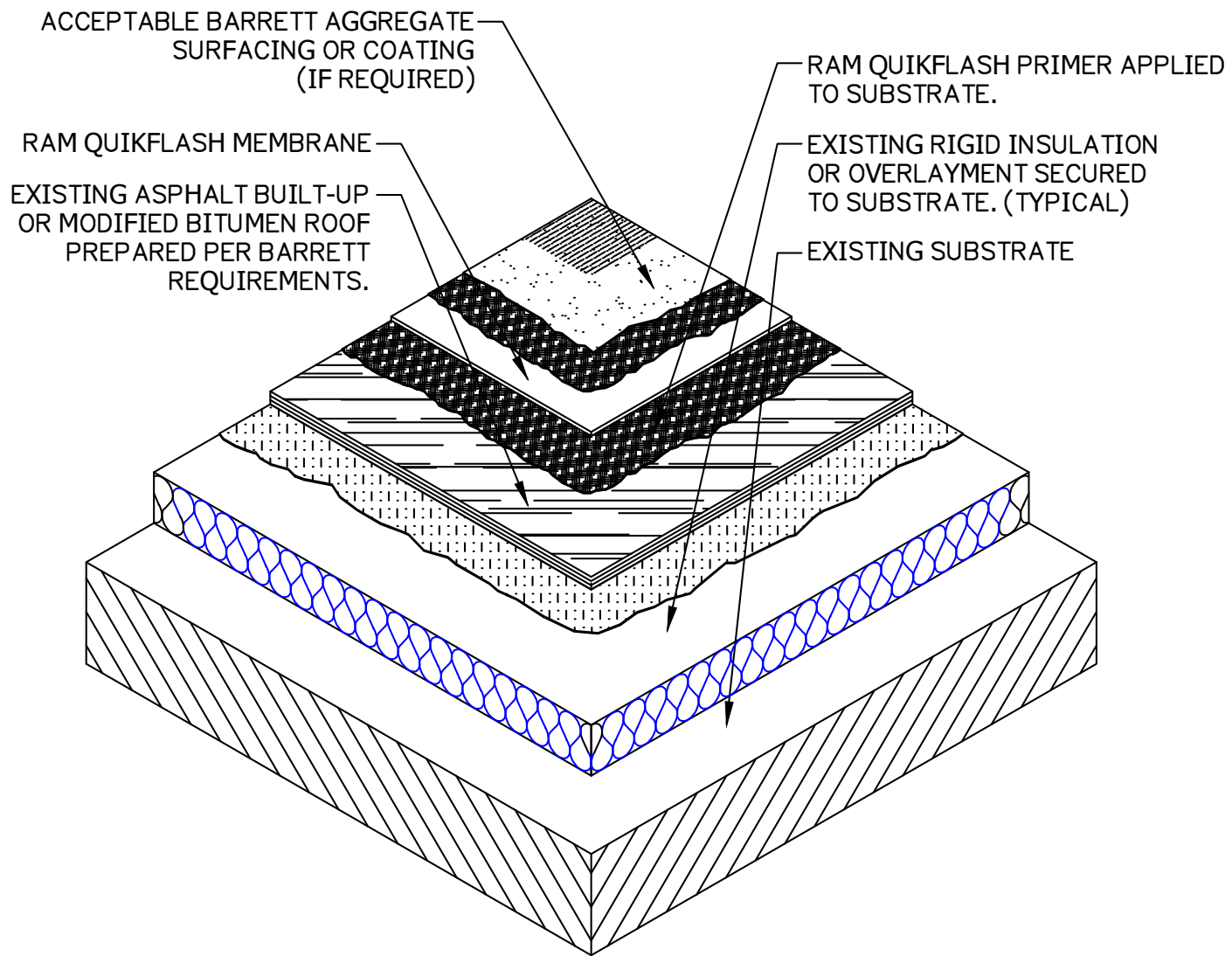
-- NON-INSULATED
WATERPROOFING
ASSEMBLY

File Name:

--

Date:

-- 03-08-2024



Contact info:

www.barrettroofs.com
P: 1-800-647-0100



Drawing Detail:

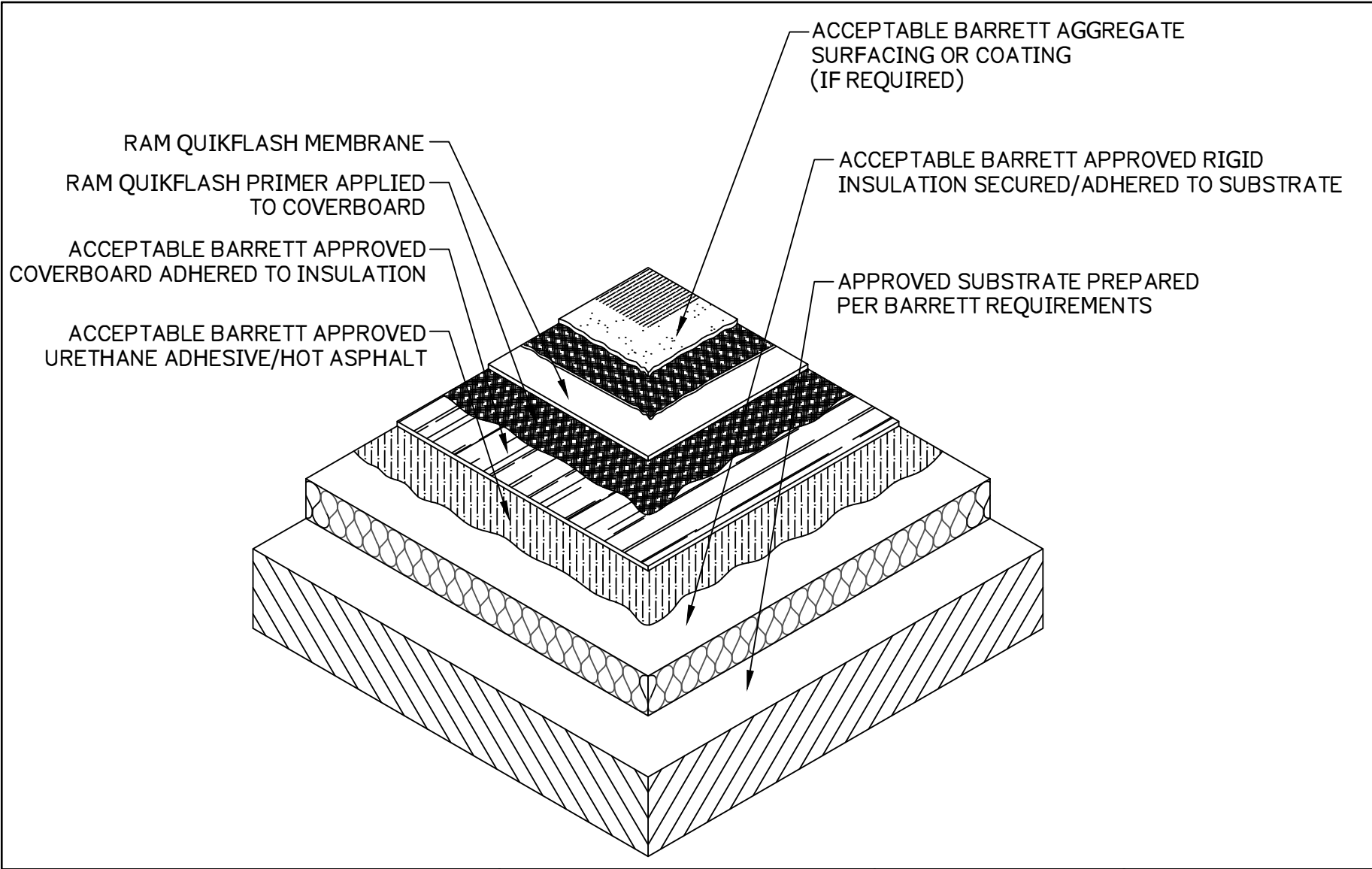
-- ROOF RECOVERY ASSEMBLY

File Name:

--

Date:

-- 03-08-2024



Contact info:
www.barrettroofs.com
 P: 1-800-647-0100



Drawing Detail:
 -- INSULATED ROOF RECOVERY WATERPROOFING ASSEMBLY W/FOAM INSULATION & COVERBOARD

File Name:
 --

Date:
 -- 03-08-2024

ACCEPTABLE BARRETT APPROVED
OVERBURDEN (CONCRETE SLAB,
CONCRETE PAVERS, TILE
IN SETTING BED, WOOD
DECKING)

ACCEPTABLE BARRETT DRAINAGE
MAT (OPTIONAL)

RAM QUIKFLASH MEMBRANE

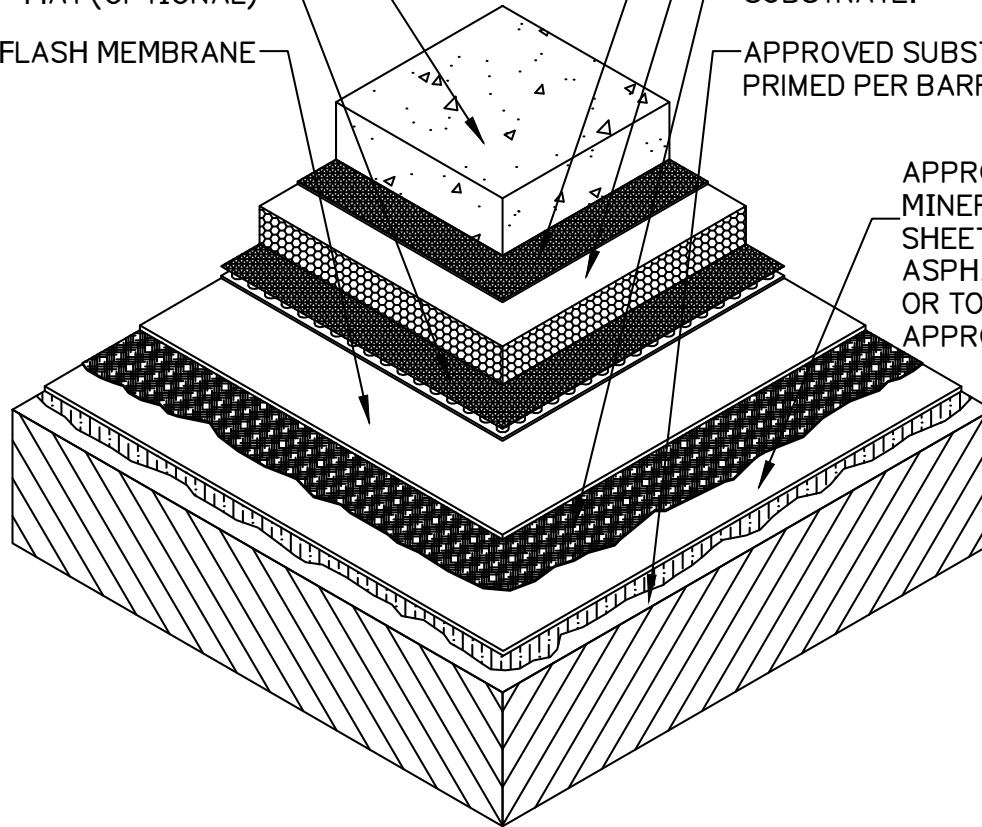
ACCEPTABLE BARRETT APPROVED
GEOTEXTILE FILTER FABRIC (AS REQUIRED)

ACCEPTABLE BARRETT APPROVED
EXTRUDED POLYSTYRENE INSULATION

RAM QUIKFLASH PRIMER APPLIED TO
SUBSTRATE.

APPROVED SUBSTRATE PREPARED AND
PRIMED PER BARRETT REQUIREMENTS.

APPROVED FULLY ADHERED
MINERAL-SURFACED CAP
SHEET SET IN TYPE III
ASPHALT, PEEL & STICK
OR TORCH APPLIED (AS
APPROPRIATE)



Contact info:

www.barrettroofs.com
P: 1-800-647-0100



Drawing Detail:

-- PRMA WATERPROOFING
ASSEMBLY W/FULLY
ADHERED CAP SHEET

File Name:

--

Date:

-- 03-08-2024

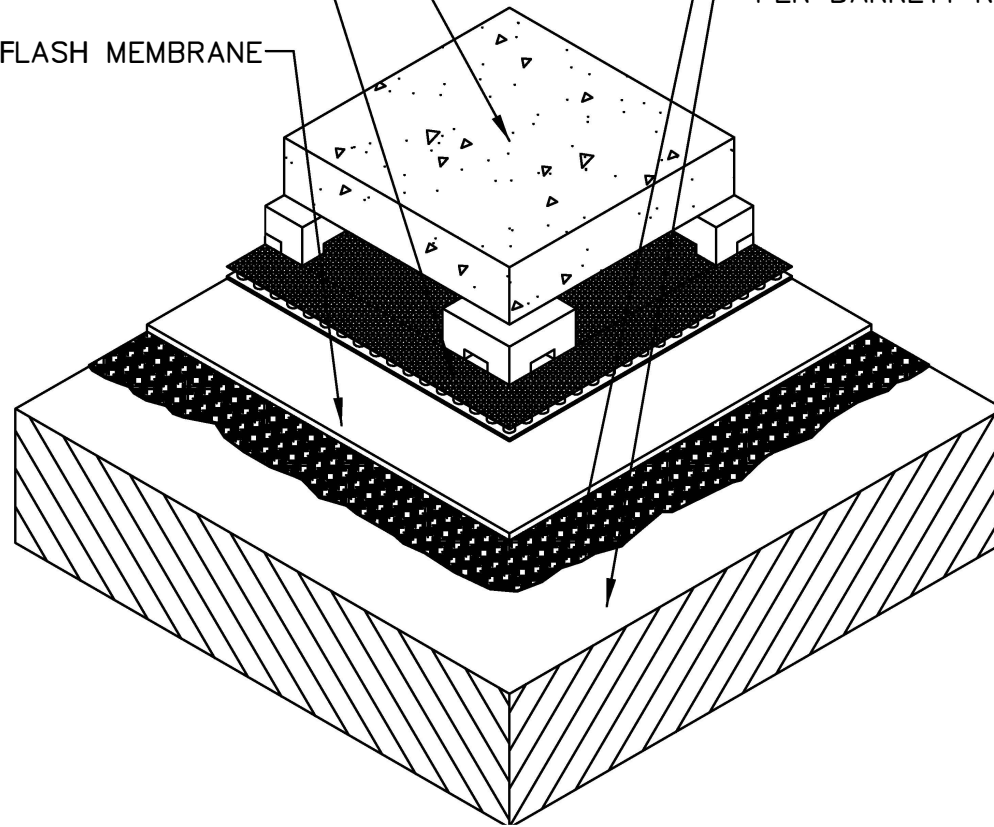
ACCEPTABLE BARRETT APPROVED
OVERBURDEN (CONCRETE PAVERS
OVER PEDESTALS)

ACCEPTABLE BARRETT APPROVED
DRAINAGE MAT (OPTIONAL)

RAM QUIKFLASH MEMBRANE

RAM QUIKFLASH PRIMER APPLIED
TO SUBSTRATE.

APPROVED SUBSTRATE PREPARED
PER BARRETT REQUIREMENTS.



Contact info:

www.barrettroofs.com
P: 1-800-647-0100



Drawing Detail:

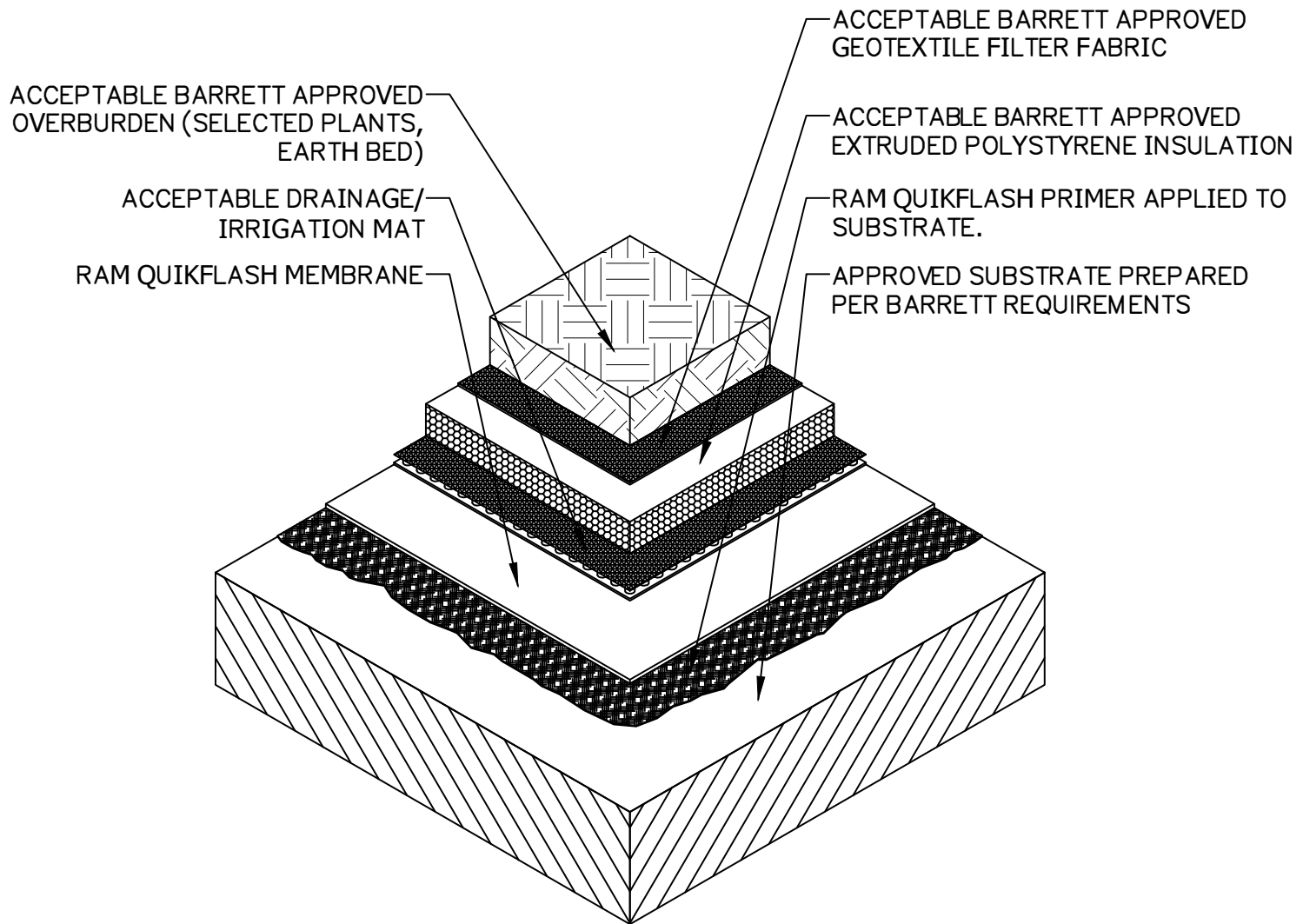
-- PLAZA WATERPROOFING
ASSEMBLY W/PEDESTAL-
MOUNTED PAVER
OVERBURDEN

File Name:

--

Date:

-- 03-08-2024



Contact info:

www.barrettroofs.com
P: 1-800-647-0100



Drawing Detail:

-- LANDSCAPE
WATERPROOFING
ASSEMBLY W/INSULATION

File Name:

--

Date:

-- 03-08-2024

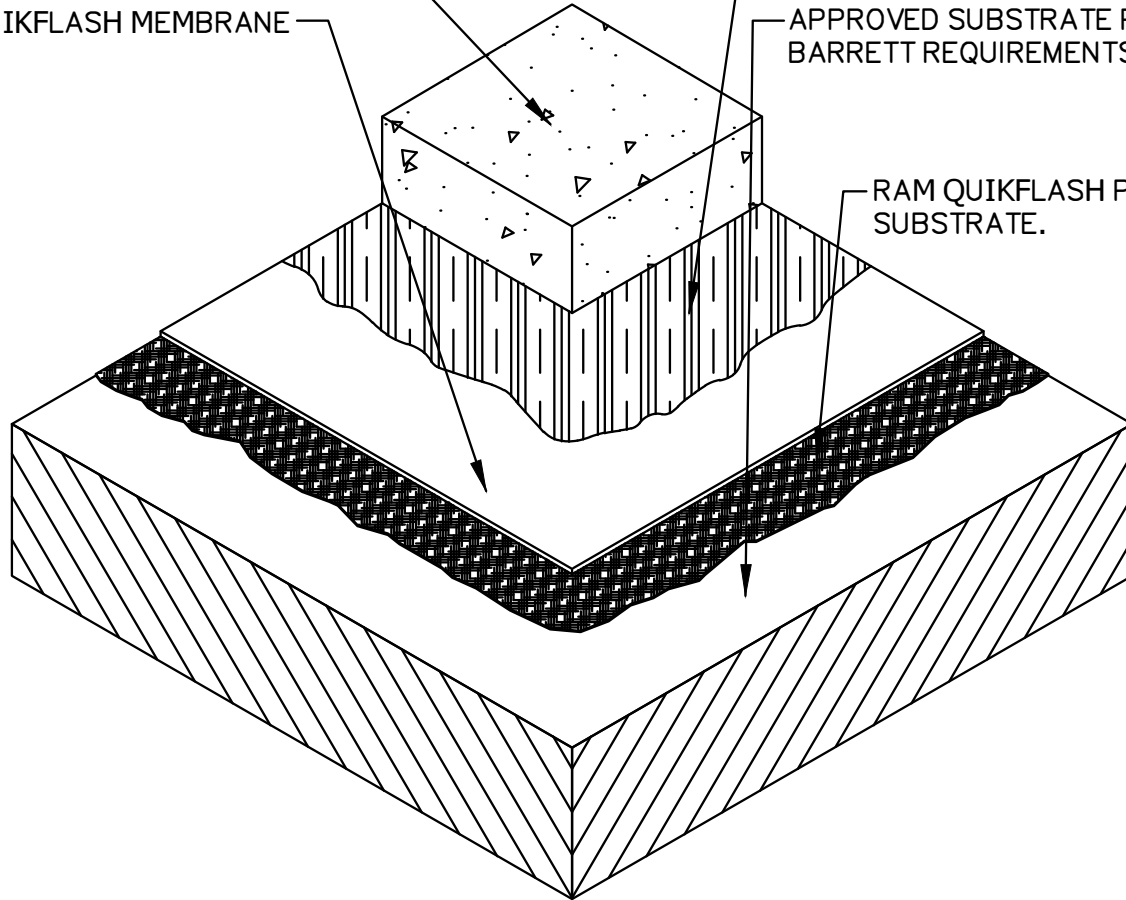
ACCEPTABLE BARRETT APPROVED
OVERBURDEN (CONCRETE SLAB)

RAM QUIKFLASH MEMBRANE

ACCEPTABLE BARRETT APPROVED
ALKALINITY PROTECTION (AS REQUIRED)

APPROVED SUBSTRATE PREPARED PER
BARRETT REQUIREMENTS.

RAM QUIKFLASH PRIMER APPLIED TO
SUBSTRATE.



Contact info:

www.barrettroofs.com
P: 1-800-647-0100



Drawing Detail:

-- SPLIT-SLAB BELOW-
GRADE WATERPROOFING
ASSEMBLY

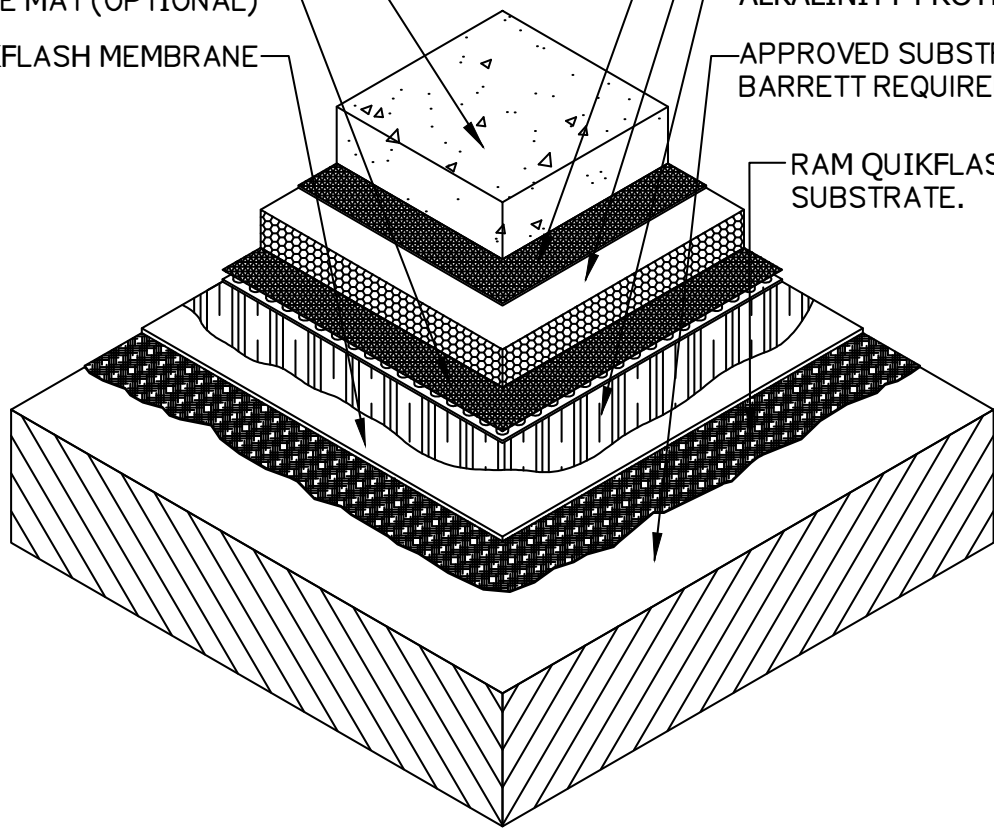
File Name:

--

Date:

-- 03-08-2024

- ACCEPTABLE BARRETT APPROVED OVERBURDEN (CONCRETE SLAB, EARTHEN FILL)
- ACCEPTABLE BARRETT APPROVED DRAINAGE MAT (OPTIONAL)
- RAM QUIKFLASH MEMBRANE
- ACCEPTABLE BARRETT APPROVED GEOTEXTILE FILTER FABRIC (AS REQUIRED)
- ACCEPTABLE BARRETT APPROVED EXTRUDED POLYSTYRENE INSULATION (OPTIONAL)
- ACCEPTABLE BARRETT APPROVED ALKALINITY PROTECTION (AS REQUIRED)
- APPROVED SUBSTRATE PREPARED PER BARRETT REQUIREMENTS.
- RAM QUIKFLASH PRIMER APPLIED TO SUBSTRATE.



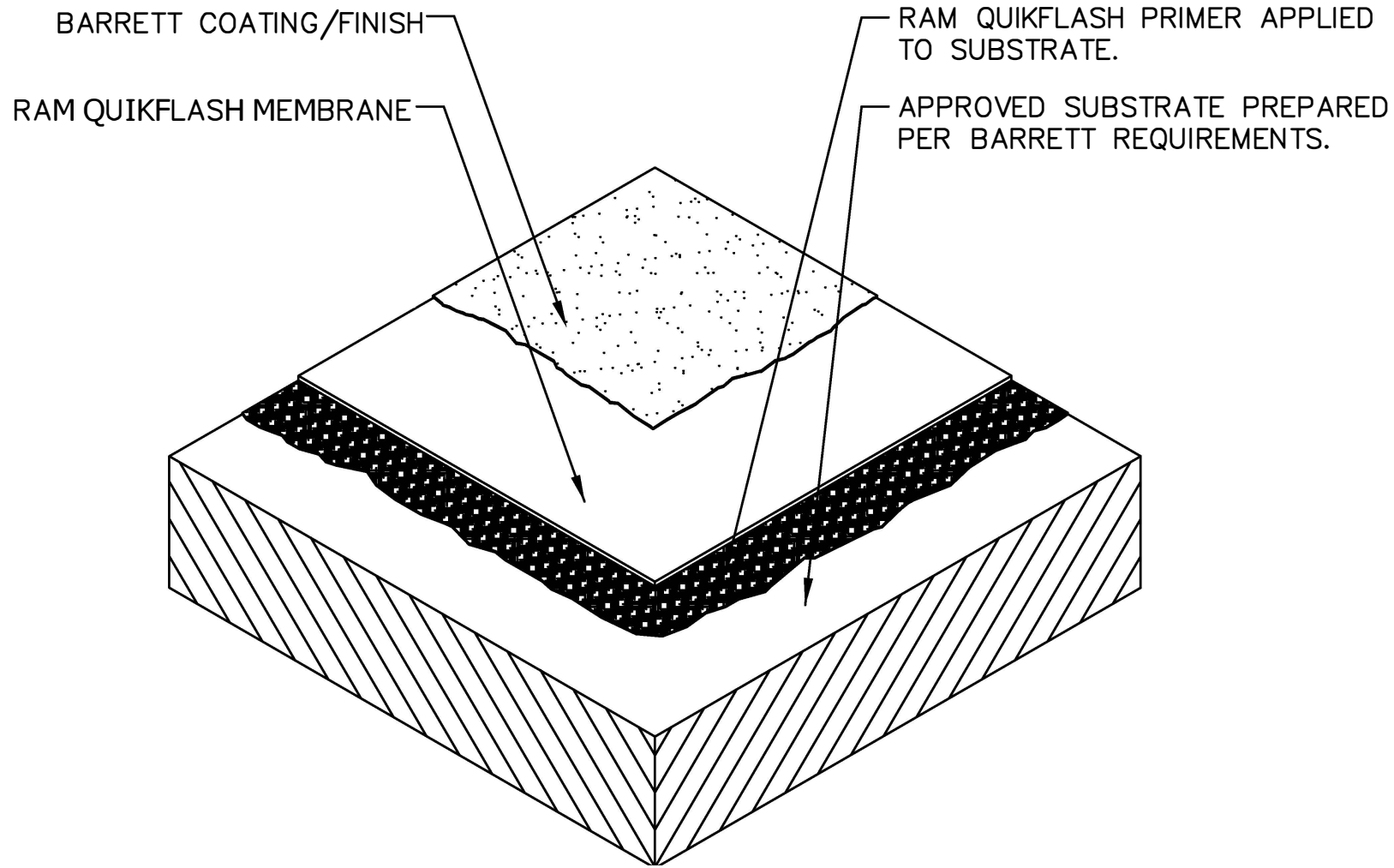
Contact info:
www.barrettroofs.com
 P: 1-800-647-0100



Drawing Detail:
 -- BELOW-GRADE
 WATERPROOFING
 ASSEMBLY W/OVERBURDEN

File Name:
 --

Date:
 -- 03-08-2024



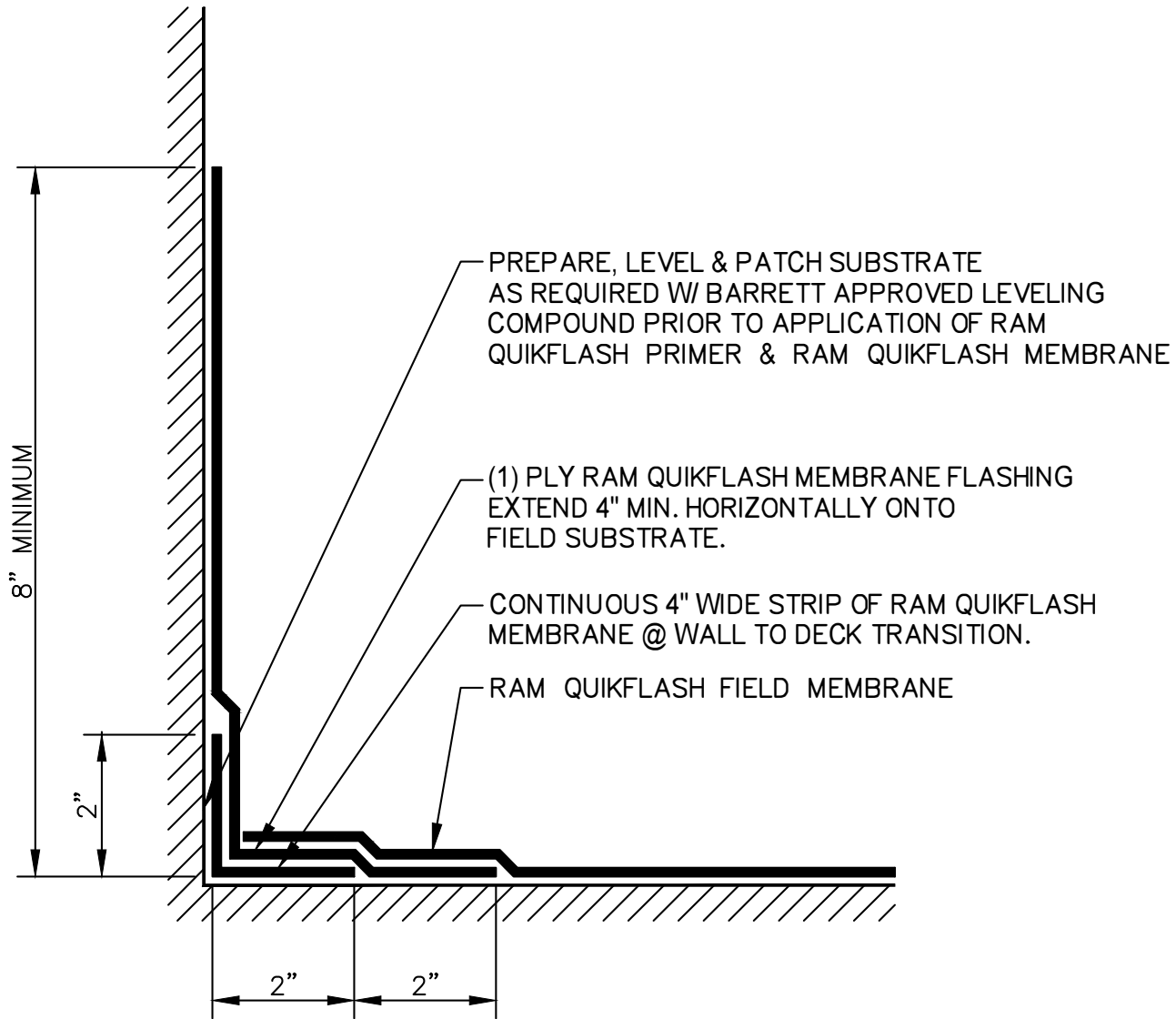
Contact info:
www.barrettroofs.com
 P: 1-800-647-0100



Drawing Detail:
 -- INTERIOR FLOOR
 WATERPROOFING
 ASSEMBLY

File Name:
 --

Date:
 -- 03-08-2024



Contact info:

www.barrettroofs.com
P: 1-800-647-0100



Drawing Detail:

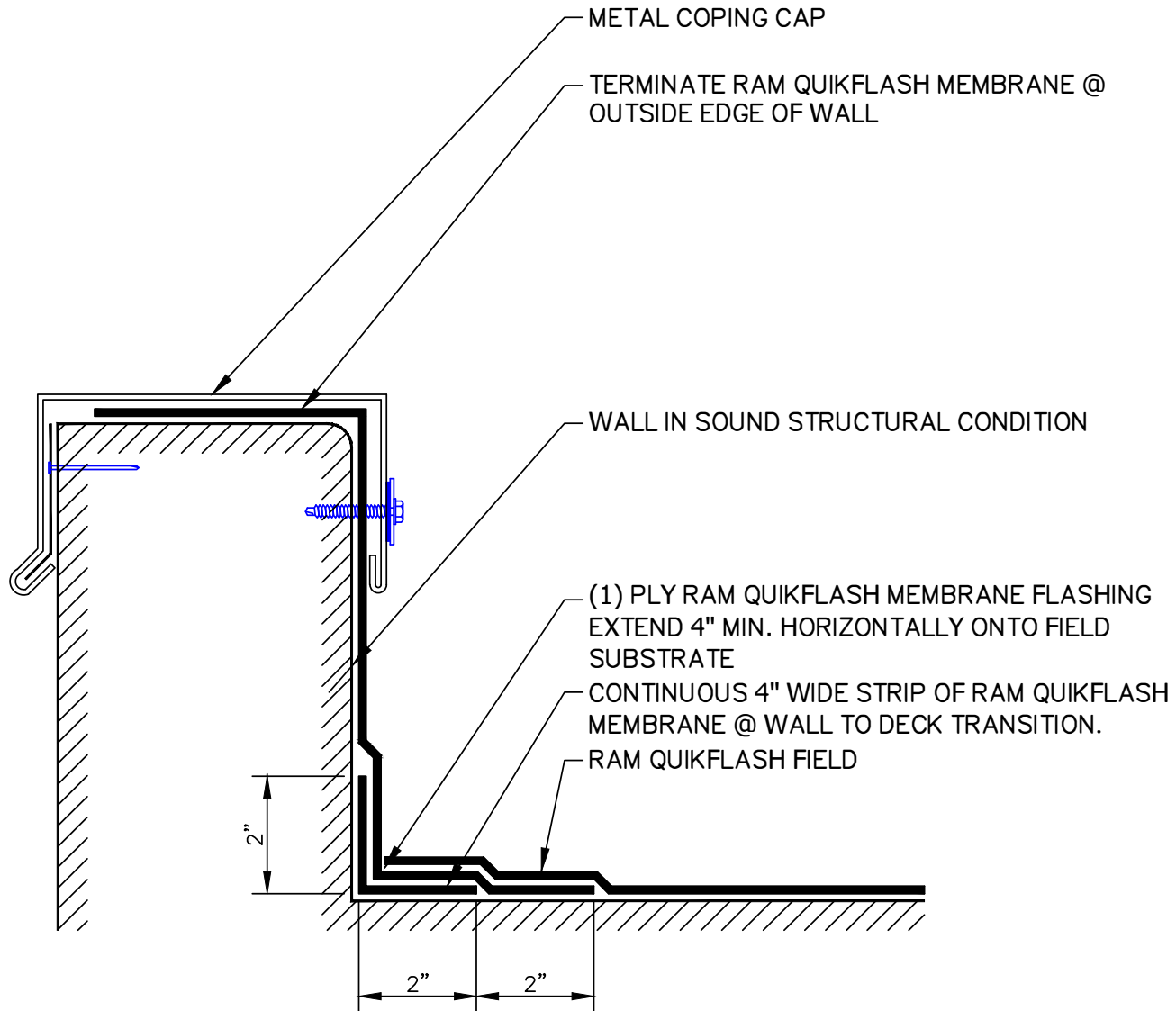
-- ONE PLY BASE FLASHING

File Name:

--

Date:

-- 03-08-2024



Contact info:

www.barrettroofs.com
P: 1-800-647-0100



Drawing Detail:

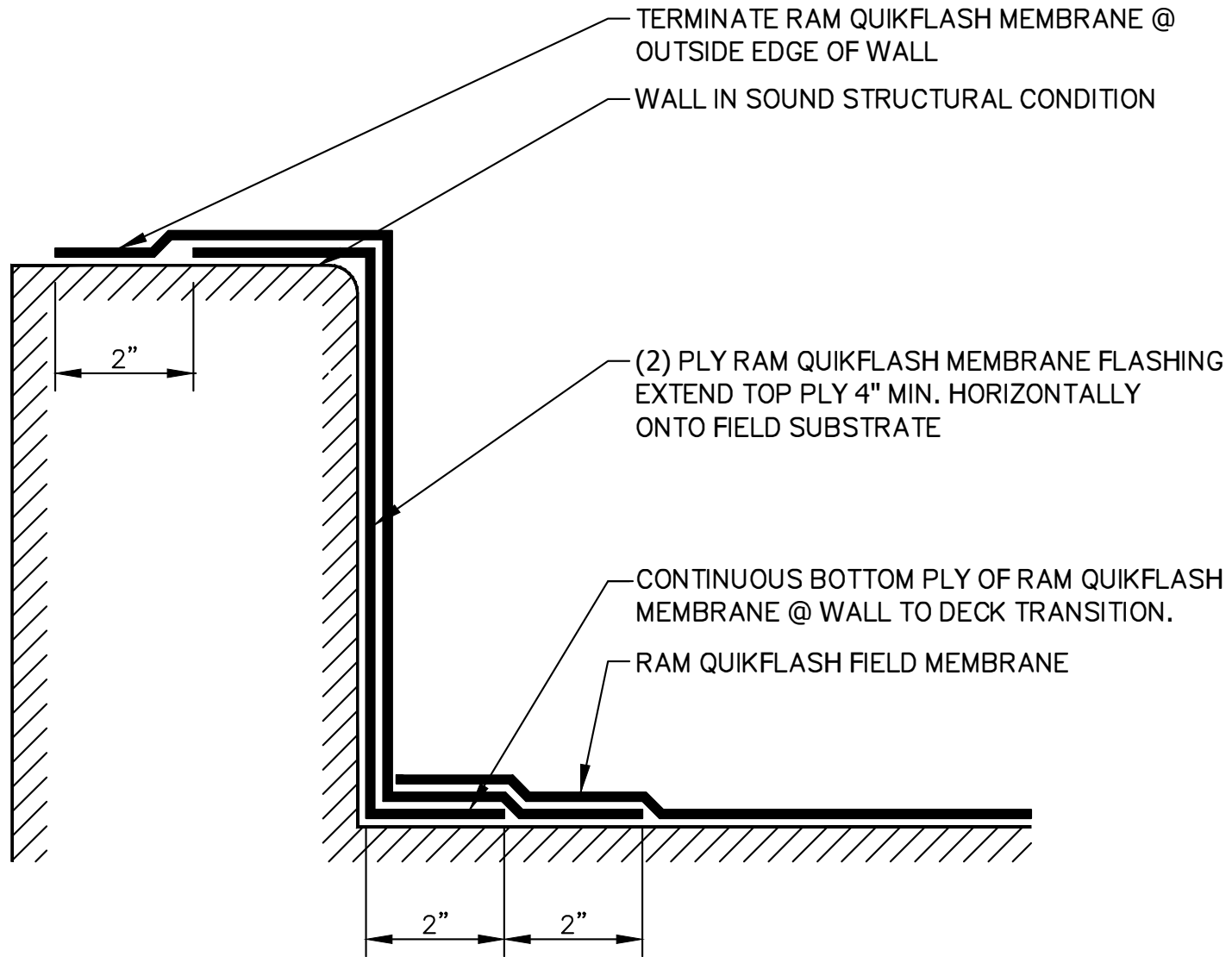
-- WALL FLASHING
W/COPING CAP

File Name:

--

Date:

-- 03-08-2024



Contact info:

www.barrettroofs.com
P: 1-800-647-0100



Drawing Detail:

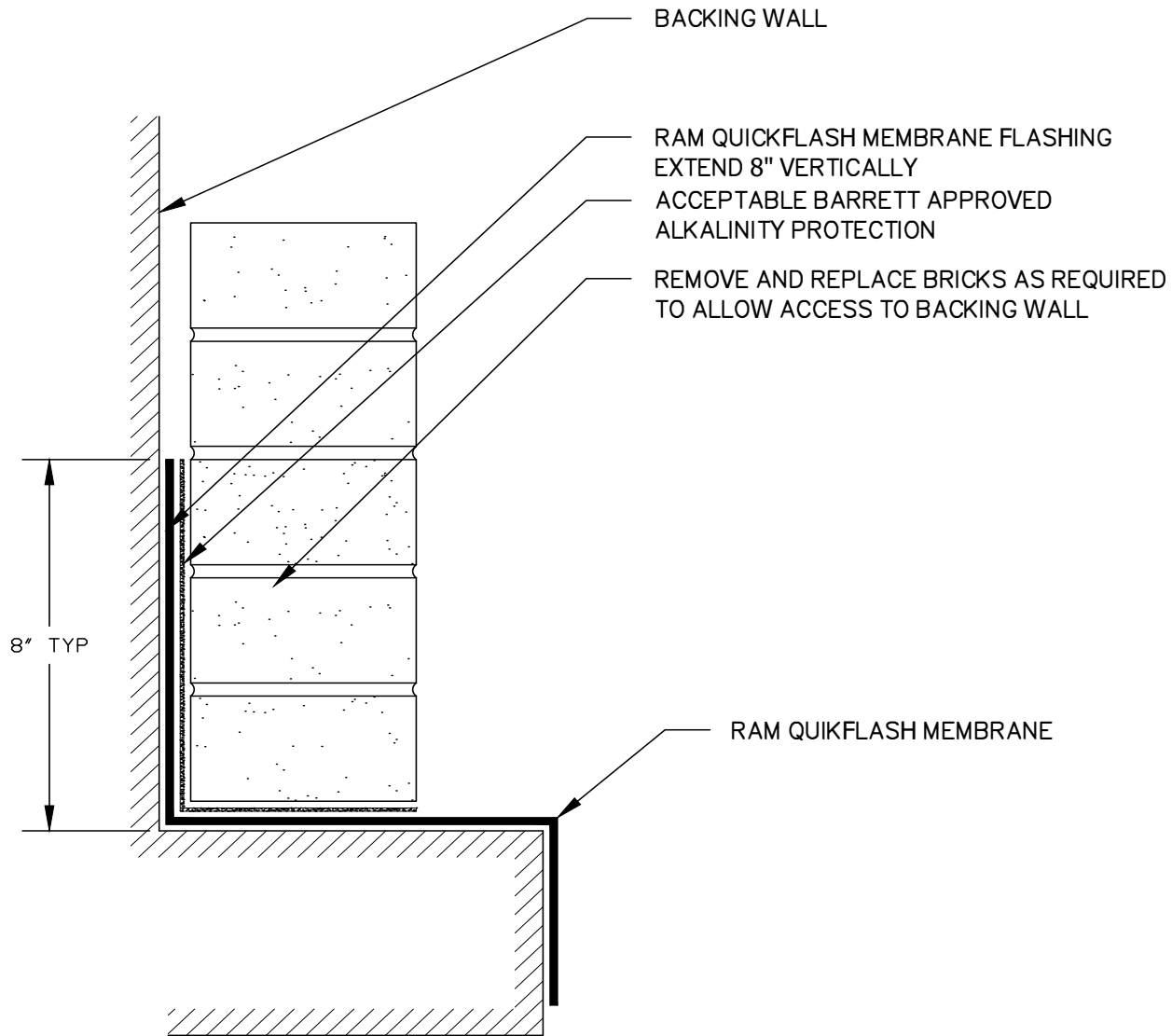
-- TWO PLY MASONRY
WALL FLASHING
WITHOUT COPING CAP

File Name:

--

Date:

-- 03-08-2024



Contact info:

www.barrettroofs.com
P: 1-800-647-0100



Drawing Detail:

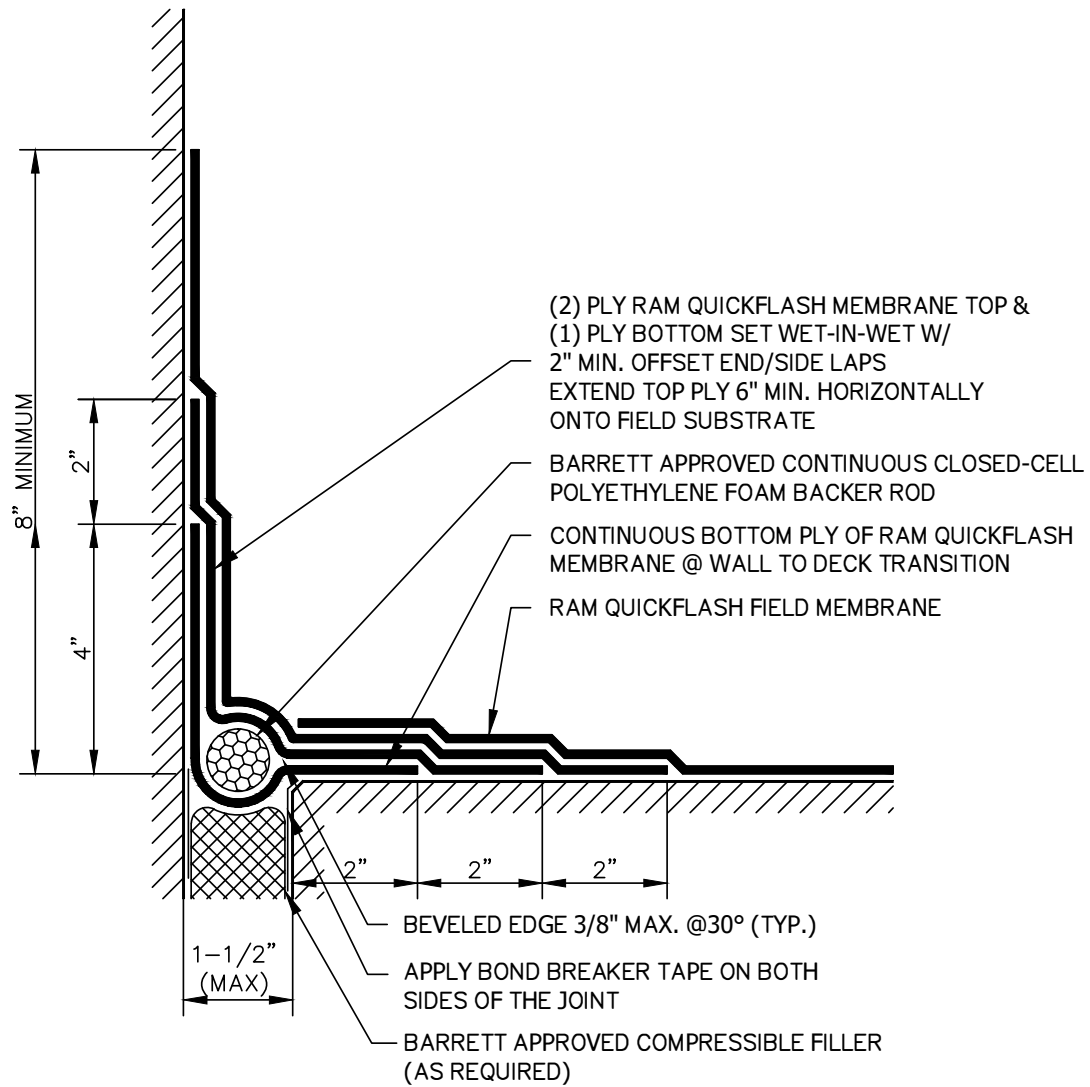
-- THRU-WALL
FLASHING DETAIL

File Name:

--

Date:

-- 03-08-2024



Contact info:

www.barrettroofs.com
P: 1-800-647-0100



Drawing Detail:

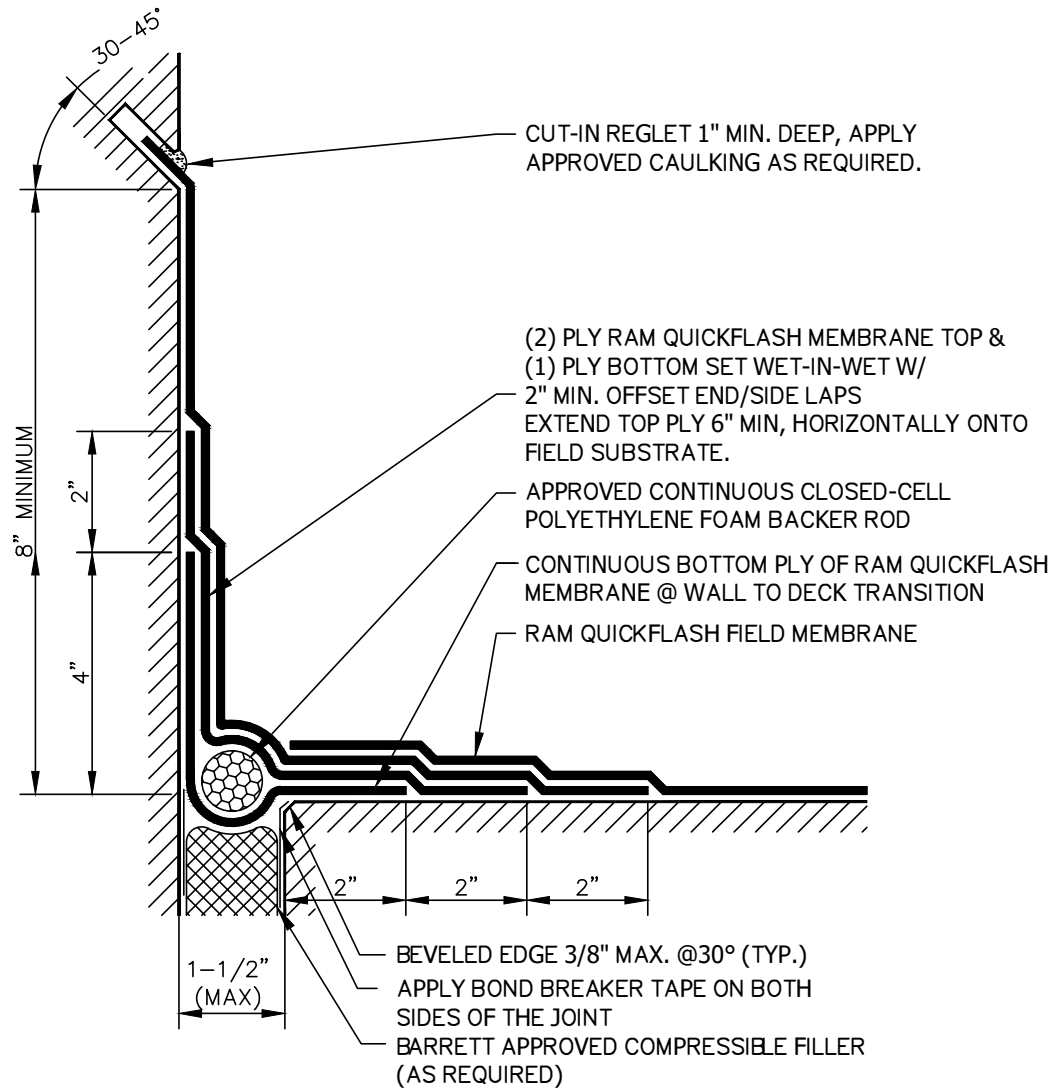
-- HORIZONTAL TO VERTICAL
TRANSITION EXPANSION
JOINT FLASHING

File Name:

--

Date:

-- 03-08-2024



Contact info:

www.barrettroofs.com
P: 1-800-647-0100



Drawing Detail:

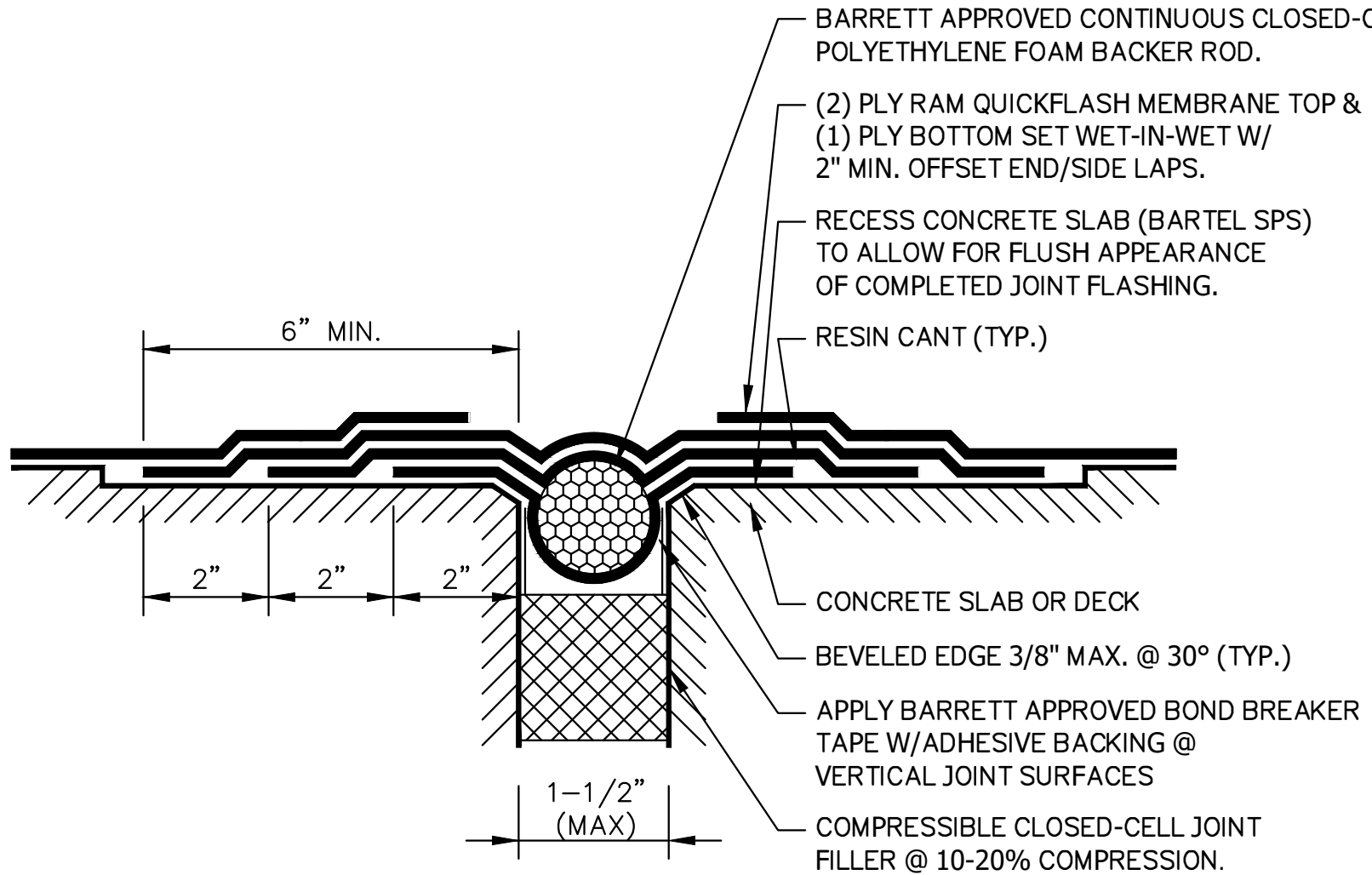
-- HORIZONTAL TO VERTICAL
TRANSITION EXPANSION
JOINT W/CUT-IN REGLET

File Name:

--

Date:

-- 03-08-2024



Contact info:

www.barrettroofs.com
P: 1-800-647-0100



Drawing Detail:

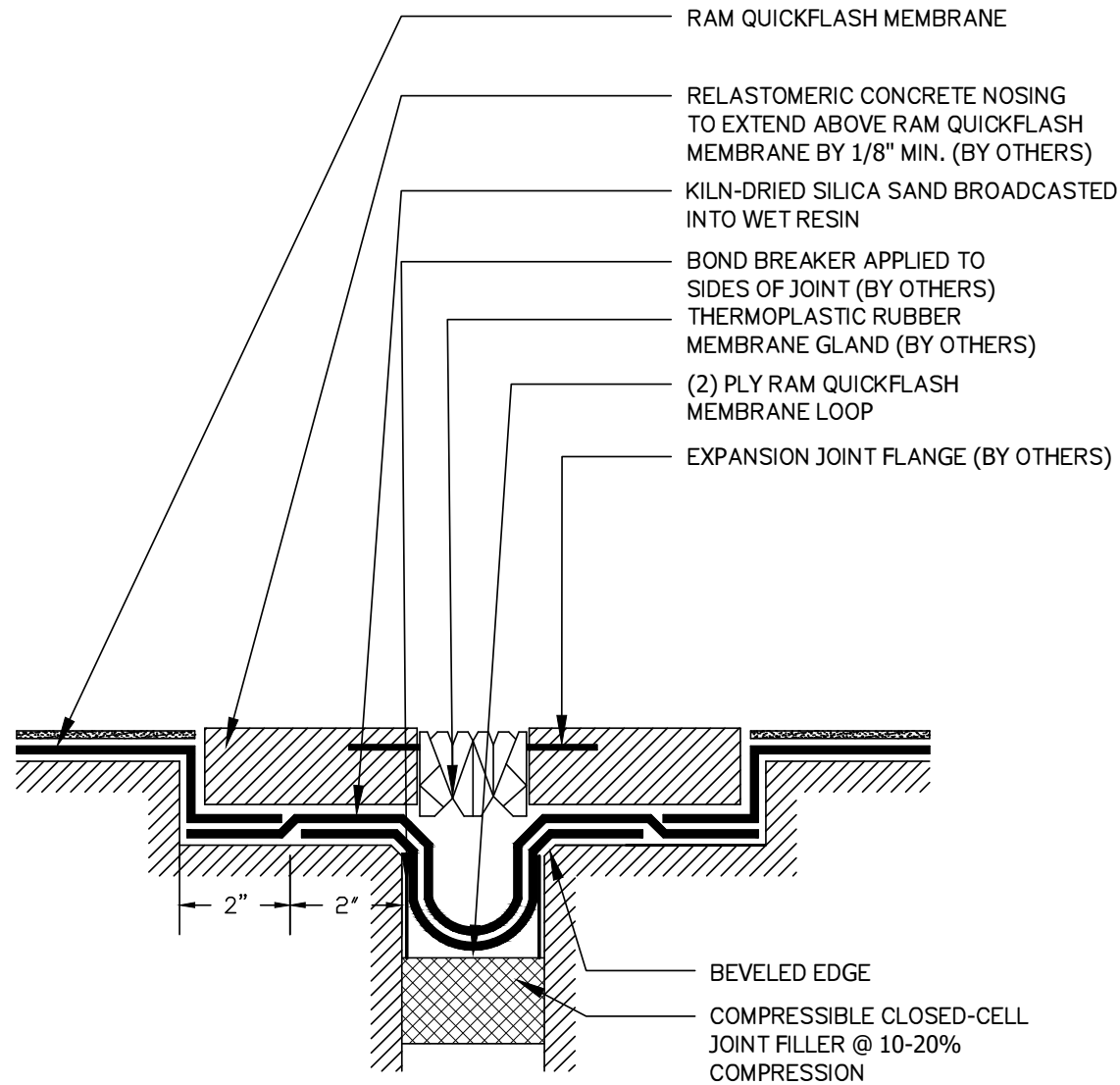
-- HORIZONTAL (IN-LINE)
WATERPROOF
EXPANSION JOINT

File Name:

--

Date:

-- 03-08-2024



Contact info:

www.barrettroofs.com
P: 1-800-647-0100



Drawing Detail:

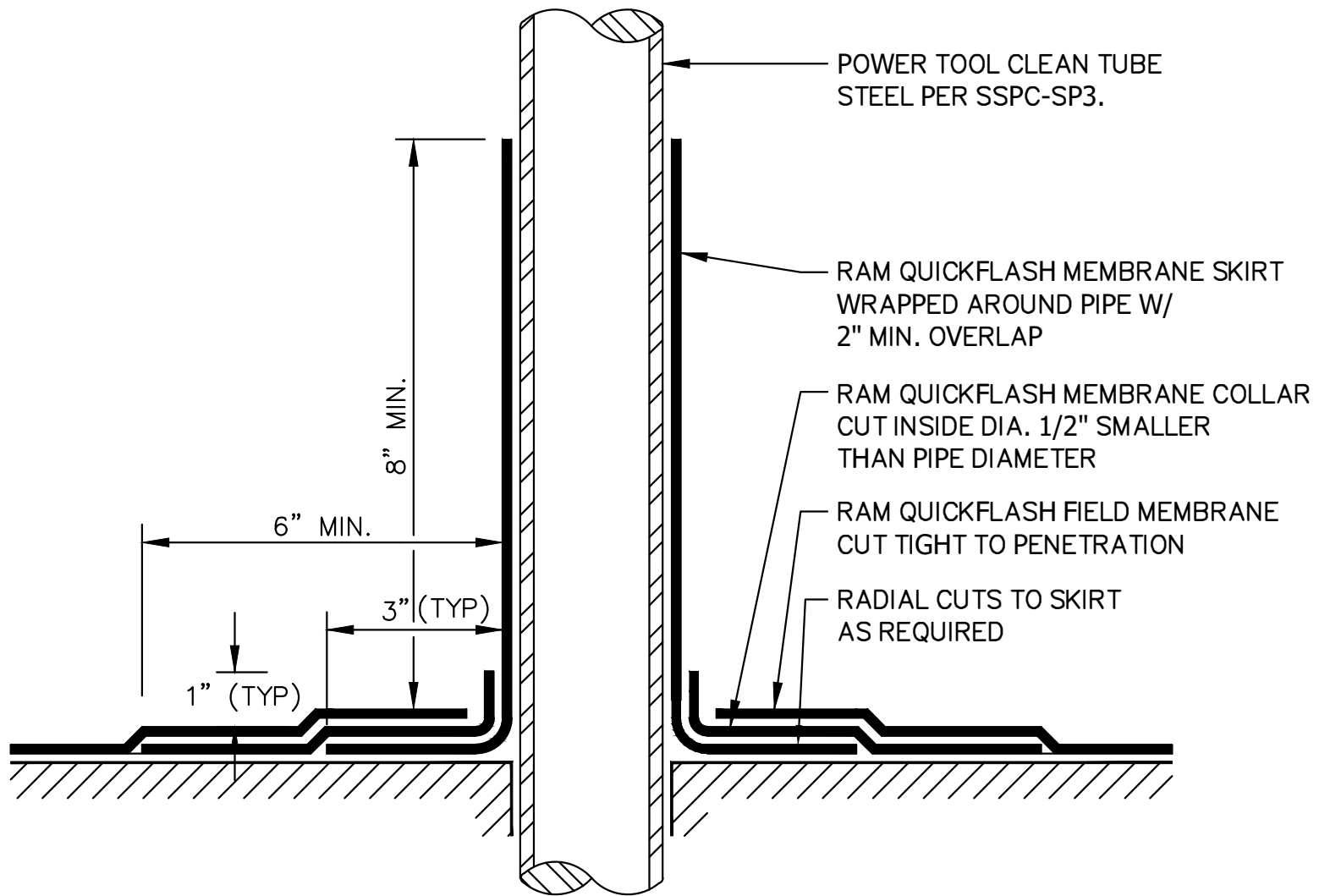
-- FLASHING AT
VEHICULAR TRAFFIC
JOINT

File Name:

--

Date:

-- 03-08-2024



Contact info:

www.barrettroofs.com
 P: 1-800-647-0100



Drawing Detail:

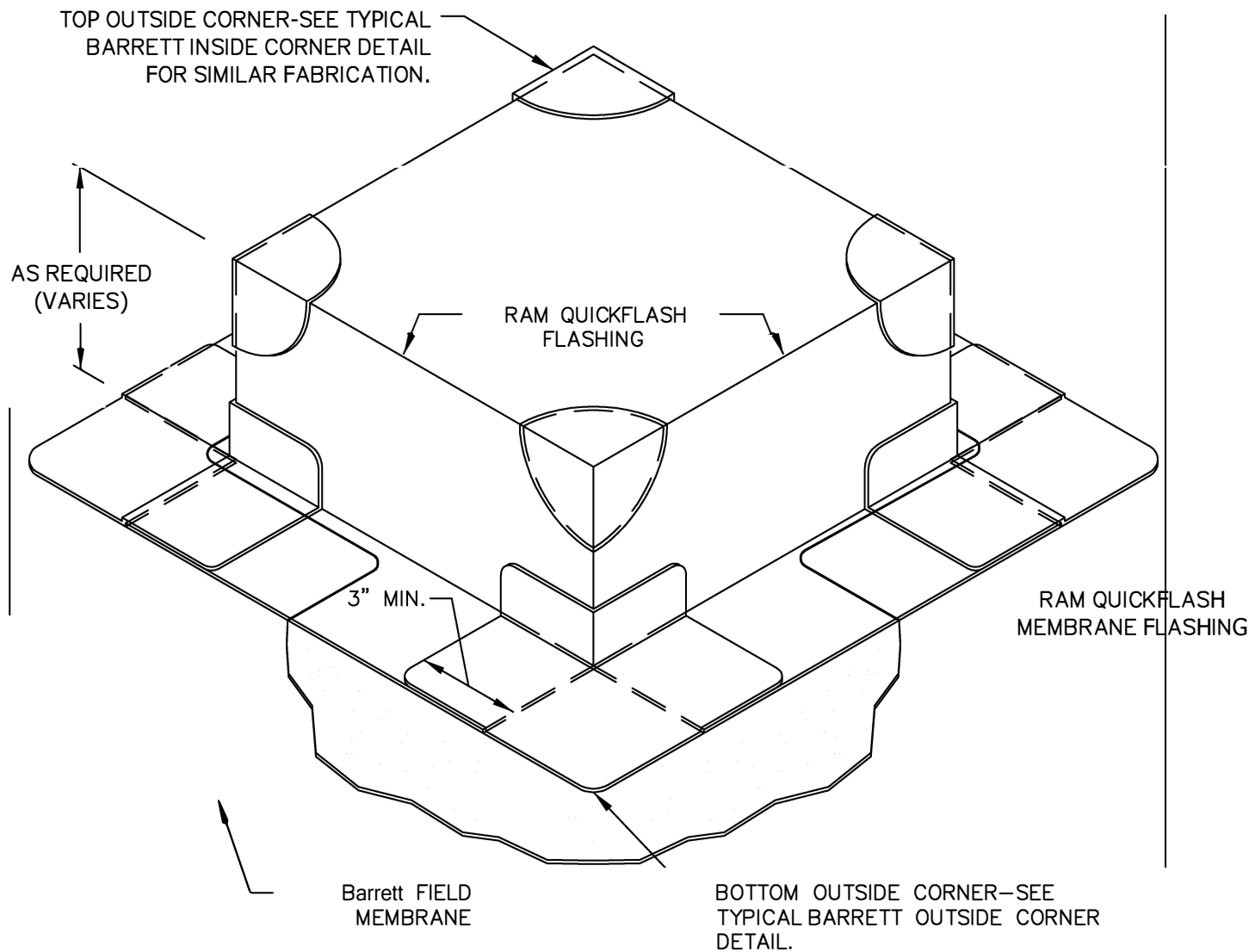
-- FIELD FABRICATED
 PIPE PENETRATION
 FLASHING

File Name:

--

Date:

-- 03-08-2024



Contact info:

www.barrettroofs.com
 P: 1-800-647-0100



Drawing Detail:

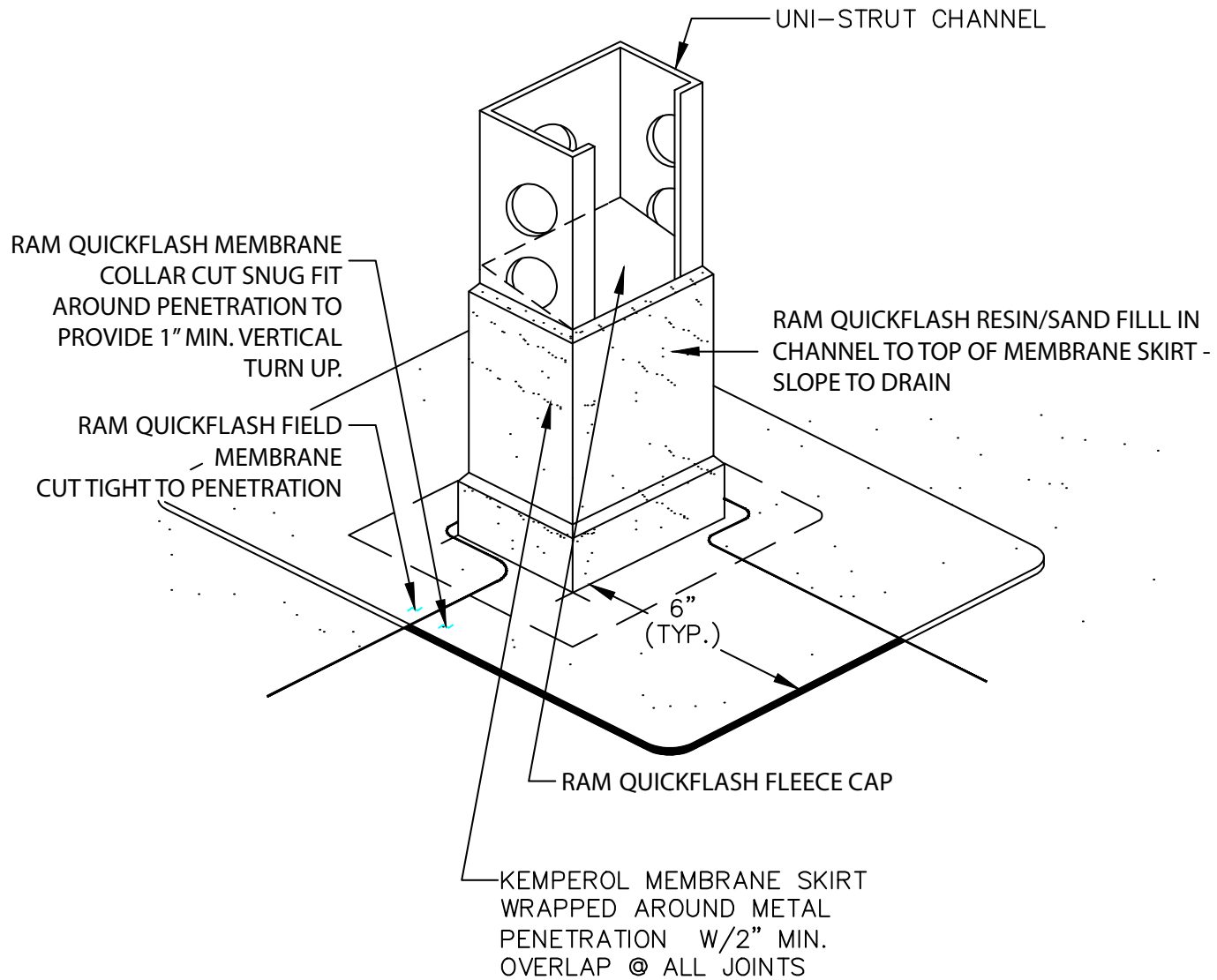
-- CURB/PAD
 ENCAPSULATION
 FLASHING

File Name:

--

Date:

-- 03-08-2024



Contact info:

www.barrettroofs.com
P: 1-800-647-0100



Drawing Detail:

-- IRREGULAR
PENETRATION UNI-STRUT
CHANNEL FLASHING

File Name:

--

Date:

-- 03-08-2024